

CASEY STONER DOESN'T COMPROMISE



Casey Stoner, 2008 Young
Australian of the Year and
2007 Moto GP Champion

ON PERFORMANCE.

A world Moto GP champion is not someone who accepts second best when it comes to equipment performance. So, when Casey Stoner needed a skid steer loader to create a practice dirt track on the family farm he wasn't about to start compromising.

The Toyota Huski's track record for proven performance, quality and superior product support gives Casey and other Huski owners the comfort of knowing they didn't settle for second best.

To discover which Toyota Huski model will put you ahead of the pack, call 1800 425 439.

EXTENDED RANGE:
operating loads from 320kg to 900kg

1800 425 439

www.toyotaskidsteerloader.com.au



TOYOTA 4SDK4

STANDARD FEATURES INCLUDE:

- 4 In 1 bucket
- High lift capacity
- Back-up buzzer
- Toyota's safety system
- ROPS/FOPS (ISO) guard
- Lifting hook
- Front and rear work lights
- Overhead instrument panel
- Oil pressure warning lights
- Fuel & temperature gauges
- Self-levelling system on lift



The Toyota 4SDK4 is compact in size, yet powerful enough to handle the toughest job. Its compact size makes limited access applications possible.

The option of wide tyres takes the machine up to a metre in width, creating wider cutting width.

Availability and specifications are subject to change without notice.
* Includes 4SDK4 and 5SDK models, please consult your local Toyota Material Handling Branch for details.

MACHINE SPECIFICATIONS

4SDK

SKID STEER LOADER
SERIES
320 kg to 820 kg

320kg (SAE) Operating Load
13kW (17HP) @ 3,000 rpm
21.8 lpm @ 3,000 rpm

ENGINE

Model	Yanmar 3TNE68	
Piston Displacement	cc	784
Rated Power / r.p.m.	kW	13/3000
Rated Torque / r.p.m.	Nm	49/2000

CONTROLS

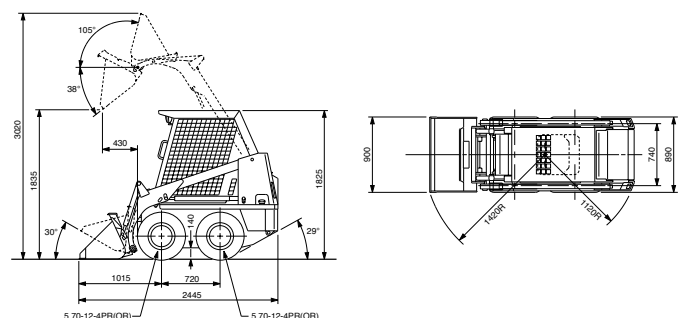
Type	HST	
Steering	Forward, reverse, Variable Speed. Two Hand Lever.	
Drive	Two Hydrostatic Transmissions with infinitely variable speed	

Fuel Capacity (Litres)	25
------------------------	----

Tested in Australia to handle the toughest conditions

PERFORMANCE

Tipping Load (SAE)	kg	640
Operating Load (SAE)	kg	320
Ground Clearance (centre)	mm	180
Machine Weight (with fuel & std bucket)	kg	1120
Dump Height (dump angle 38°)	mm	1835
Reach Fully Raised (dump angle 38°)	mm	430
Dump Angle (max.)	deg	38
Raising Time (full load)	sec	5.2
Lowering Time (no load)	sec	3.5
Dump Time	sec	3.5
Travel Speed	Forward	km/h 9.0
	Reverse	km/h 9.0
Clearance Circle (with bucket)	mm	1420
Gradeability	Forward	% 31
	Reverse	% 58



Freecall 1800 425 439 or visit
www.toyotaskidsteerloader.com.au

